

H800: Upright Bike SK8000

- **Electromagnetic brake system with generator.** Maximum reliability and precision. No need for electric mains except for the monitor.
- The **new crank design** of the SK Line bikes includes a reinforced steel cased structure with a flat, wider and aerodynamic design. This ensures more stability and security during the exercise.
- **User friendly, easy to read monitor and interface. 20 difficulty levels.** Highly versatile saddle. For simple or professional training.
- **Drive system: maintenance free Poli-V belt.** No chain means no oiling. No chain means no noise.
- **Pulse measurement both by contact pulse and telemetric pulse (chest band optional).**
- **Connection for mp3 and built-in speakers,** which let the user listen to their own music while exercising.
- **Frame: Aluminium and sturdy oval section steel tube ST52.** Bearings Heavy duty SKF bearings.
- **Handlebar: Triathlete, anti-bacterial type with pulse sensors.**
- **Genesia III system, latest generation in self-powered technology.**
- Fully integrated materials and profiles for an avant garde design.
- **Casing: Hard-wearing ABS plastic and easy to clean.**
- **Saddle: Prostate type gel saddle.**
- **Programs Manual, 8 preset profiles with 4 intensity levels each, User Program, Fitness Test for Men and Women, HRC and Distance Program.**
- **Specifications:**

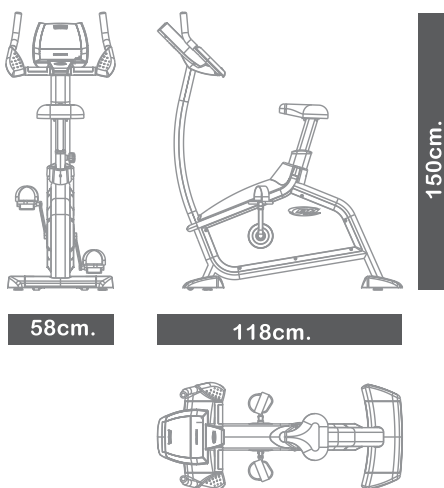
Height: 147 cm / 58"

Width: 57cm / 22"

Length: 132cm / 52"

Maximum user weight: 190Kg / 419 lbs.

Weight: 77Kg / 170 lbs.



H800: Upright Bike SK8000

● Two monitor option:

1 **Smart Focus Monitor TFT capacitive Touch Screen of 16" HD**, besides of showing the evolution and training information (Speed, Time / Distance (km) Calories / Incline, Pulsation in watts, resistance, pulse, etc.), allows full connectivity to social networks, internet, television and applications thanks to the FitFeel interface that provides the fastest touchscreen technology of the market. With Smart Focus you can also customize the monitor, interact with users and customize workouts thanks to its Log in system for each user where they can save all the information of their workouts.

- USB port.
- Smartphones and iPods compatibility.
- Bluetooth Connectivity.
- CSAFE port.

2 **LED Monitor: DOT MATRIX screen with top LED window** that graphically displays the progress of the exercise. The bottom alphanumeric display gives the user instructions before and during the exercise. The 4 LED windows at the very bottom simultaneously show information for Speed, Time/Distance, Calories/Tilt and Pulse rate.

